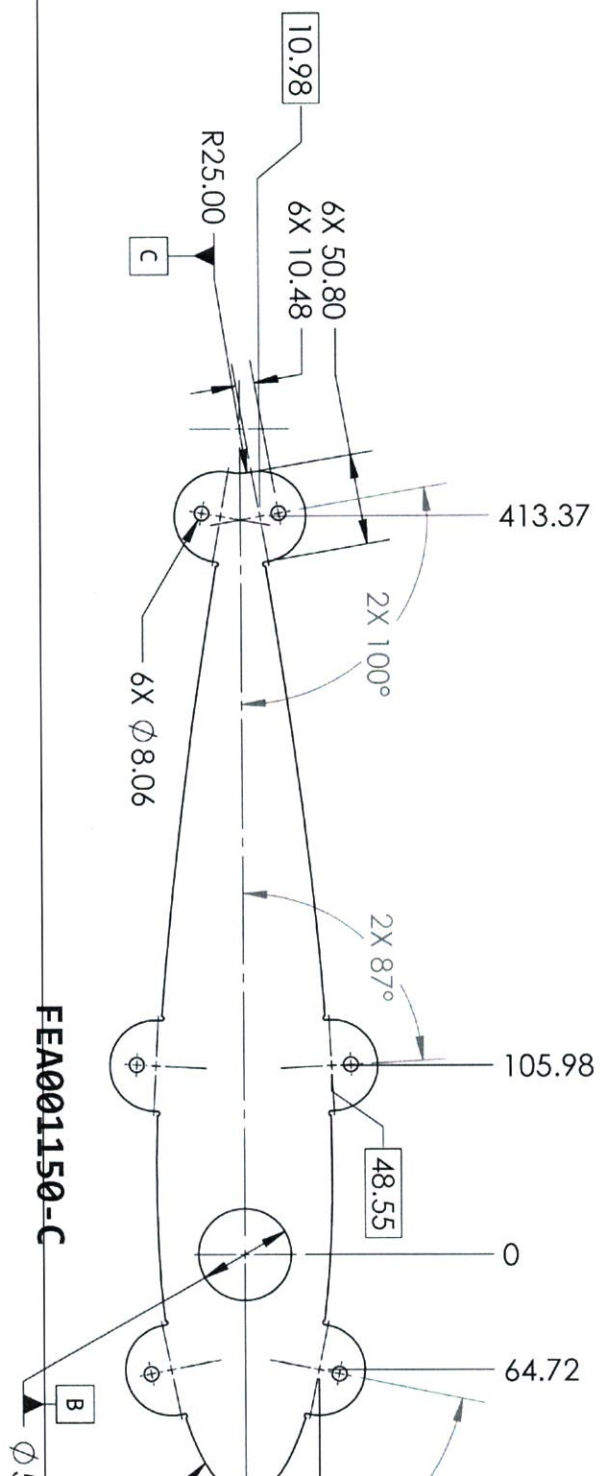
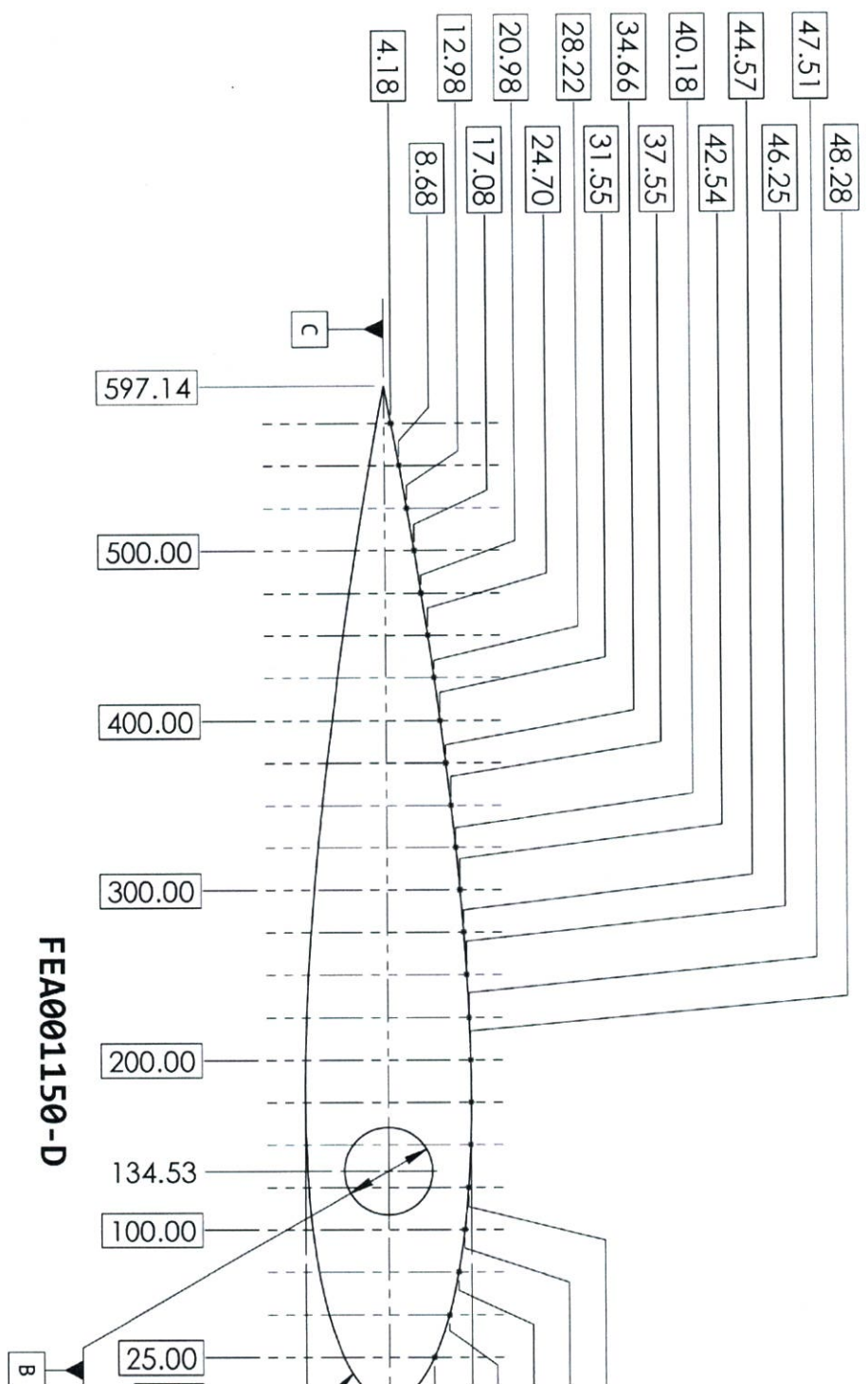


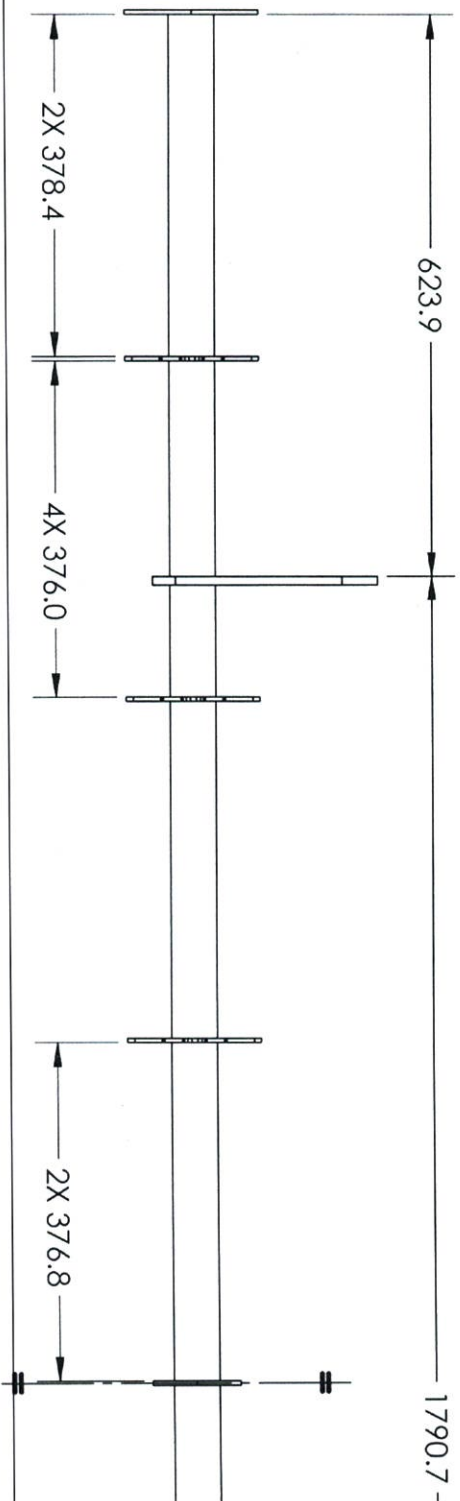
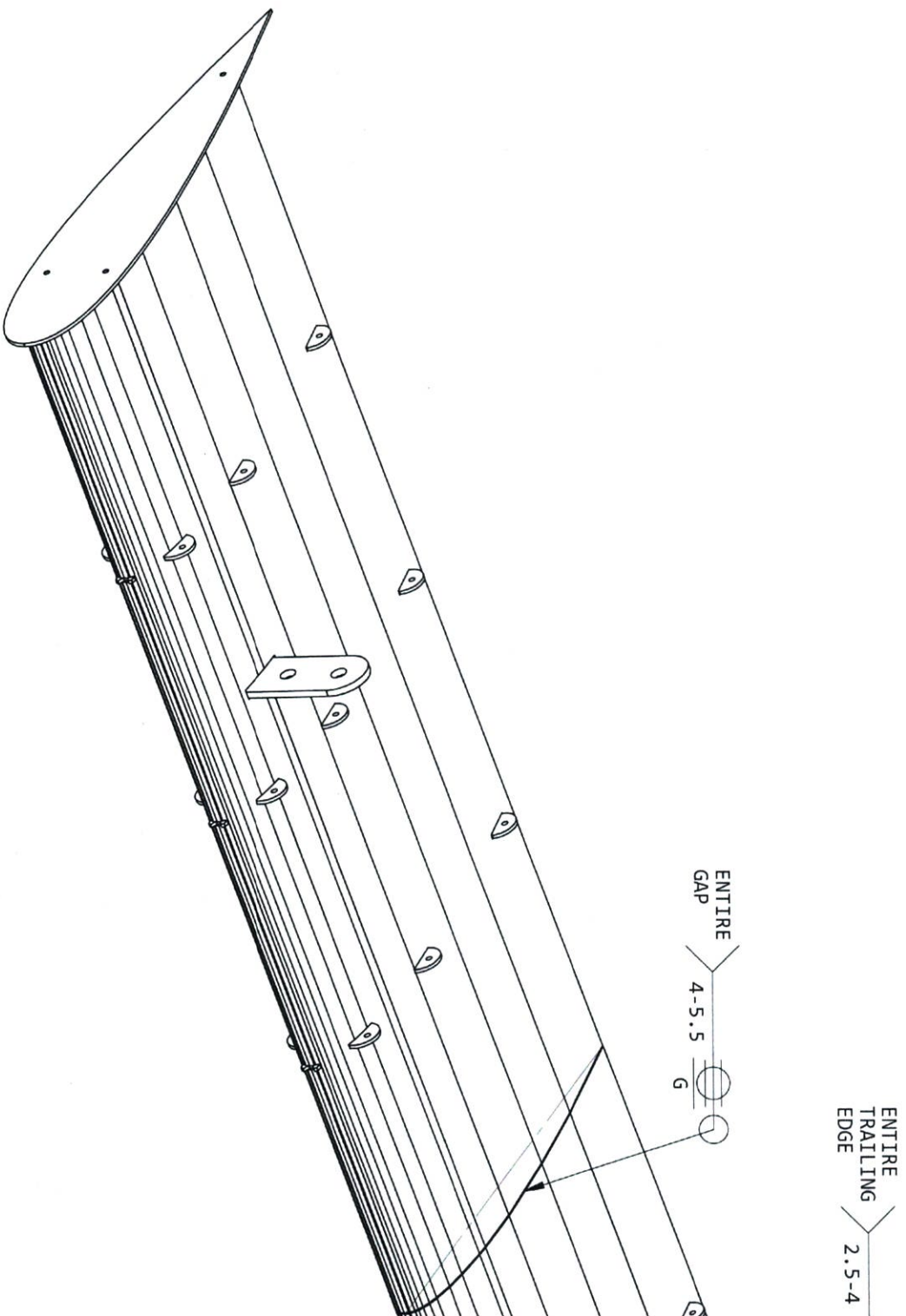
NOTES:
6 EXCEPT FOR ADDED TABS, FEA001150-C & -D HAVE IDENTICAL AIRFOIL PROFILES



4

3

NOTES:
5 AFTER WELDING, REMOVE ALL PROTRUDING RIB TABS FLUSH TO SKIN.



4

3

NOTES:

1. MATERIAL: SEE WELDMENT TABLE.
2. REMOVE ALL BURRS AND SHARP EDGES; MAXIMUM CHAMFER ON EDGES .75[0.03].
- 3 IF NEEDED, LOCATE PIERCE START FOR CUTTING OUT DOOR WHERE IT CAN BE WELDED OVER WHEN INSTALL
- 4 INSURE LIGHT TO MEDIUM PRESS FIT WITH MATING JIC TUBE SLEEVES.
5. FINISH: HI DURABILITY PAINT, WHITE.
6. PACKAGE FOR SHIPMENT WITHOUT DAMAGE AND MARK PACKAGE WITH PART NUMBER AND REVISION.

